

MN82S LC79 2.4G 1/12 Full Scale RC Pickup Short Truck 4WD Remote Control Climbing Off-road Car

Description:

Item no: MN-82S

Product name: 1/12 2.4G full-scale four-wheel drive remote control model car pickup.

Product size: 36*16*16CM

Color box size: 41*21*22CM

Outer box size: 82.5 * 42 * 68.5cm.

Unit weight: 1.35KG

Color: yellow, red

Body battery: 7.4V1200mah.

Motor: 280 motor

Steering gear: 17g waterproof steering gear.

Features

2.4G, function: forward, backward, left turn, right turn, proportional remote control, two-stage speed change. Remote controller controls headlights with light group: front lights, steering lights & backward lights.

"Through the mountains and over the canyons"



TOUGH OFF-ROAD


Moving forward in ruggedness, adapting to multiple terrains,
Your companion for outdoor adventures.



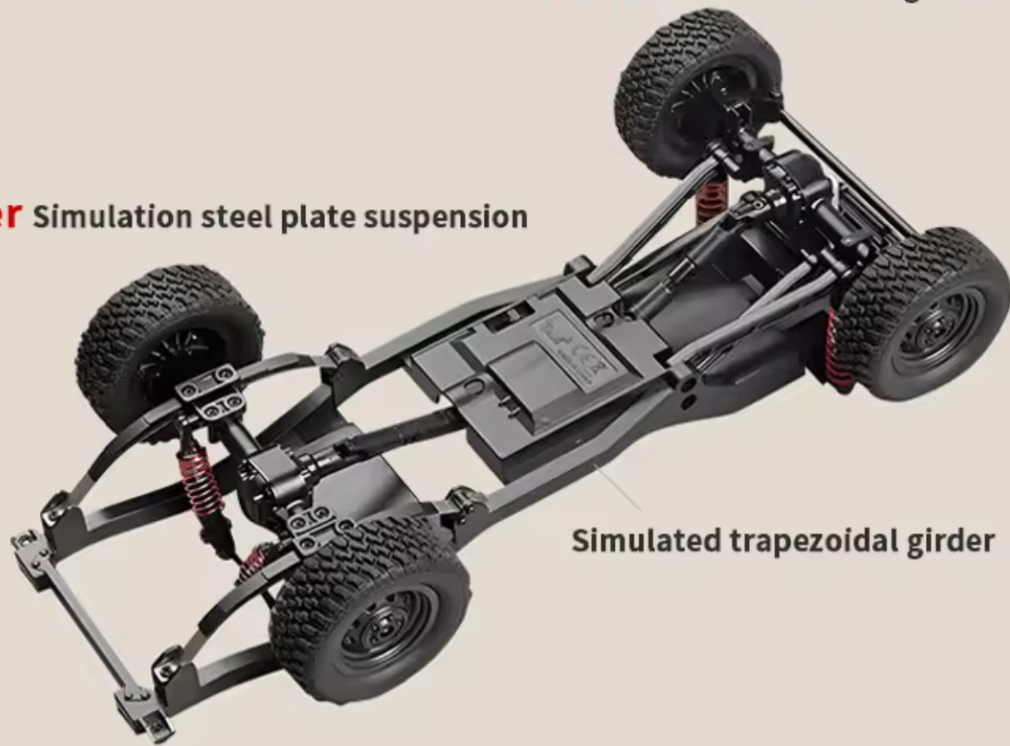
**"SIMULATION CAR DOOR (🔗)
SEE REAL CHAPTER FOR DETAILS"**

Five open door

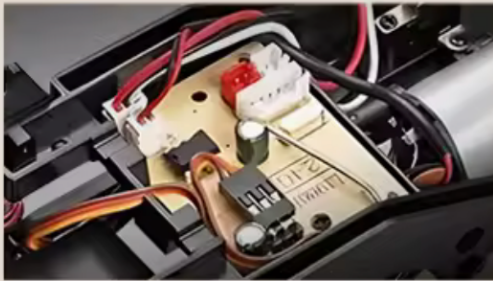


Before Four-link straight Bridge 

After Simulation steel plate suspension



Simulated trapezoidal girder



Integrated Control Board



280 strong magnetic motor

ZWN

TOYOTA

OFFICIAL
LICENSED
PRODUCT



MN-82S

TOYOTA **LAND CRUISER**

1:12RC Car

"DIY disassembly, one car for two purposes"



REAR WAREHOUSE REPLACEMENT



MN82S

1 Battery+Foam Box

**RC Car
without battery**



Accessories



1 Battery



Foam Box